


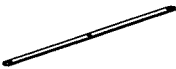


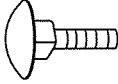




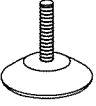
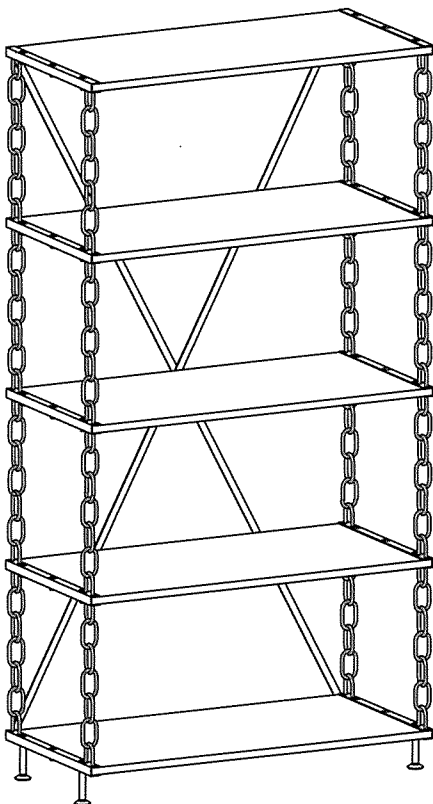


ASSEMBLY INSTRUCTION

Items 286125 and 286126

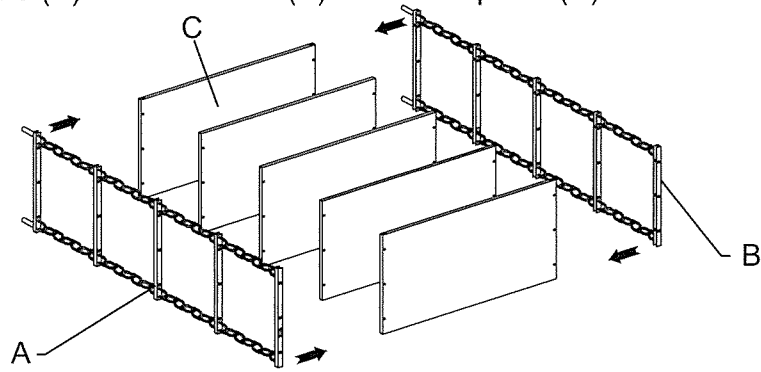
A Right Frame	B Left Frame	C Wood Panel	D Metal Back Holder
			
1 pc	1 pc	5 pcs	2 pcs
E Allen wrench	F Wrench	G Bolt	H Nut
			
1 pc	1 pc	30 pcs	30 pcs
I Flat washer	J Bolt 1/4" X 12 mm	K Nut	L Leveler
			
34 pcs	5 pcs	1 pc	4 pcs



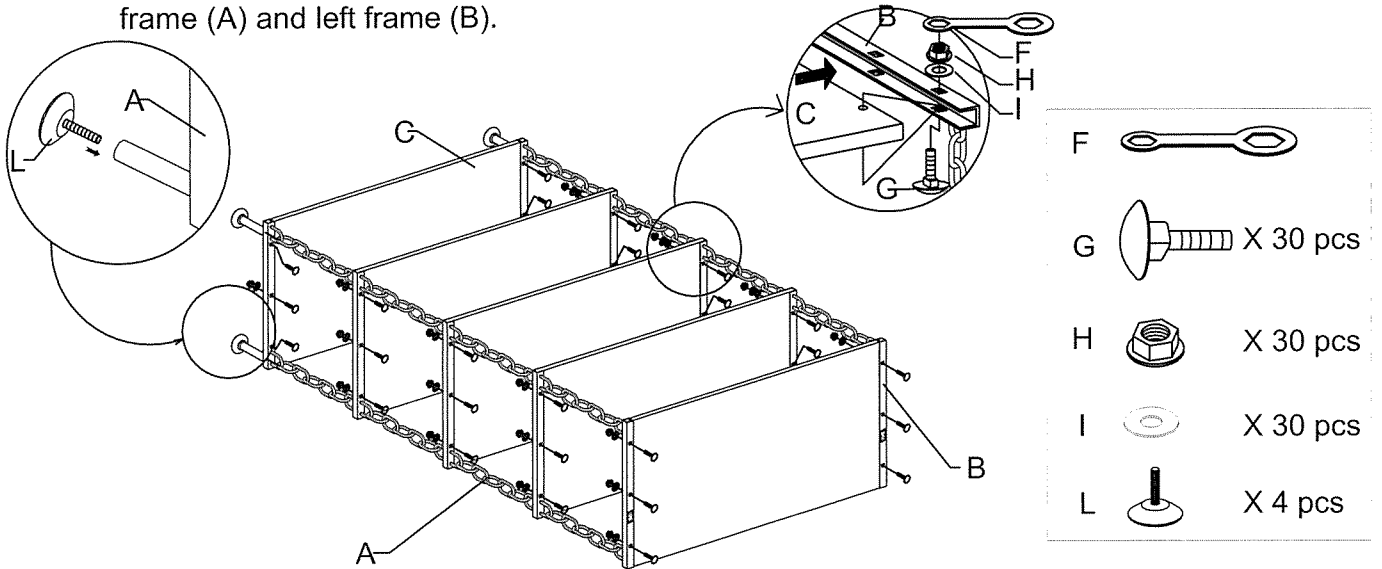
This page lists all the contents included in the box. Please take the time to identify the hardware as well as the individual components to this product. As you unpack and prepare for assembly, place the contents on a carpeted or padded area to protect them from damage.

1

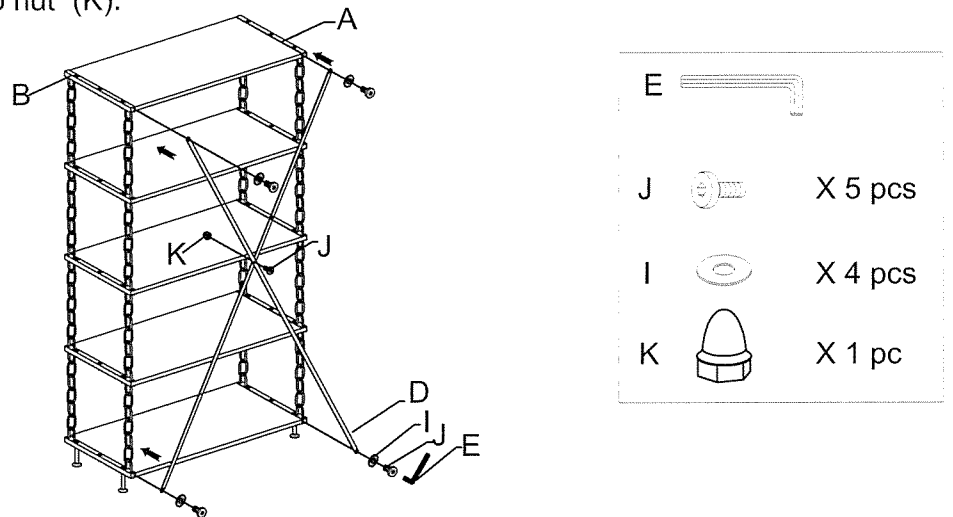
Assemble the right frame (A) and left frame (B) with wood panel (C) as shown.

**2**

Use the bolt (G) through the right frame (A), left frame (B) and flat washer (I) into nut (H) as shown as drawing and tighten with the wrench (F). Screw the leveler (L) into the bottom of right frame (A) and left frame (B).

**3**

Assemble the metal back holders (D) with 1 pc bolt (J) 1 pc flat washer (I) for each corner of right frame (A) and (B) then fastened using allen wrench (E). Screw the bolt (J) through the metal back holders into nut (K).



Cleaning & Care

Treat surface with care. Surface is resistant to scratches but is not scratch resistant. Clean surfaces with a dry or damp soft cloth. Do not use abrasive cleaners. Hardware may loosen over time. Periodically check that all connections are tight.